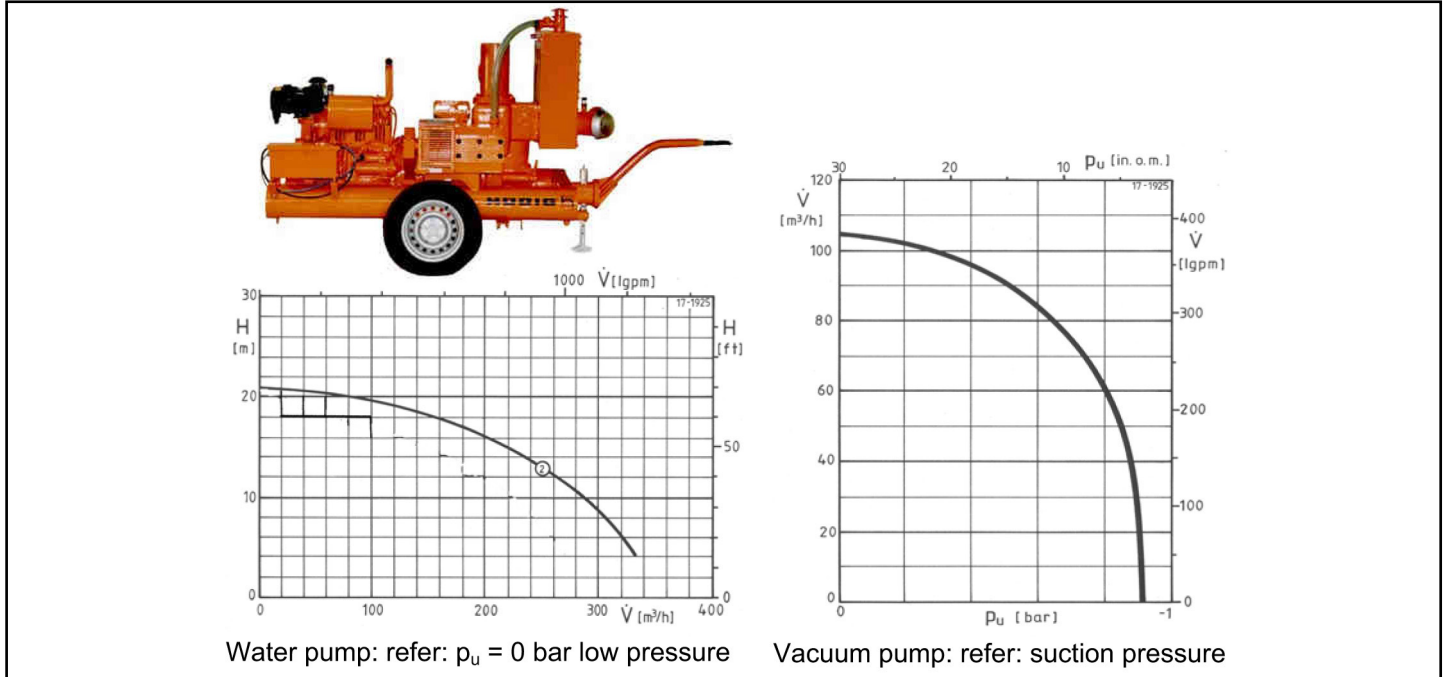


TECHNICAL SHEETS : DIESEL VACUUM

HC 551 MODEL



DETAILS *

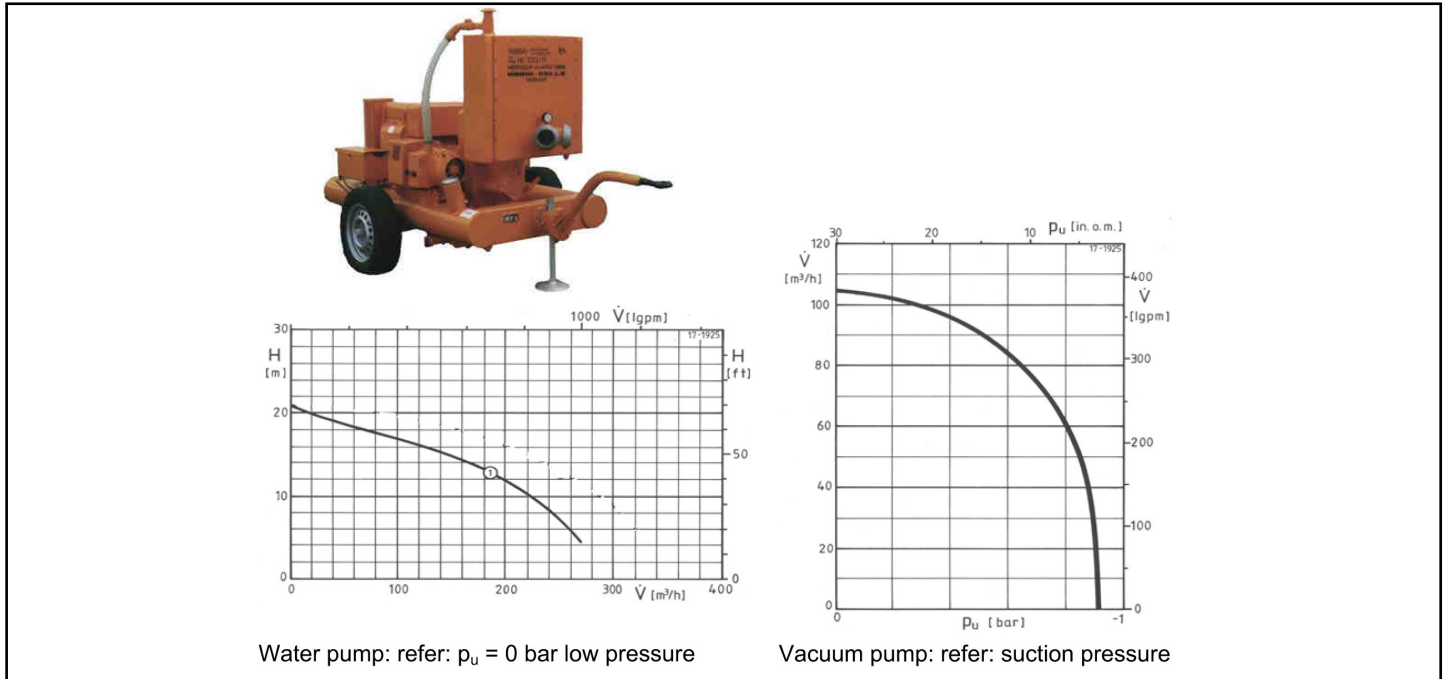
HC 551		
WATER PUMP	CAPACITY V max (m ³ /h)	330
	HEAD H max	21
	CONNECTION DNs DNd (mm)	159 male
	CORN SIZE MAX. (mm)	45
VACCUM PUMP	CAPACITY (m ³ /h)	105
	PRESSURE (bar)	-0.92
ENGINE	BRAND	Deutz or Hatz
	TYPE	F3L912 or 3L41C
	POWER (kW)	22 or 20.6
	SPEED	1500
WEIGHT (kg)		1125 or 1146

DESIGN

- Mounted on tank frame chassis, movable at site (6 km/h)
- Tank volume : 24 hours
- Impeller material : bronze
- Rotation vacuum producer without lubrication, therefore low in maintenance

TECHNICAL SHEETS : DIESEL VACUUM

HC 532 MODEL



DETAILS *

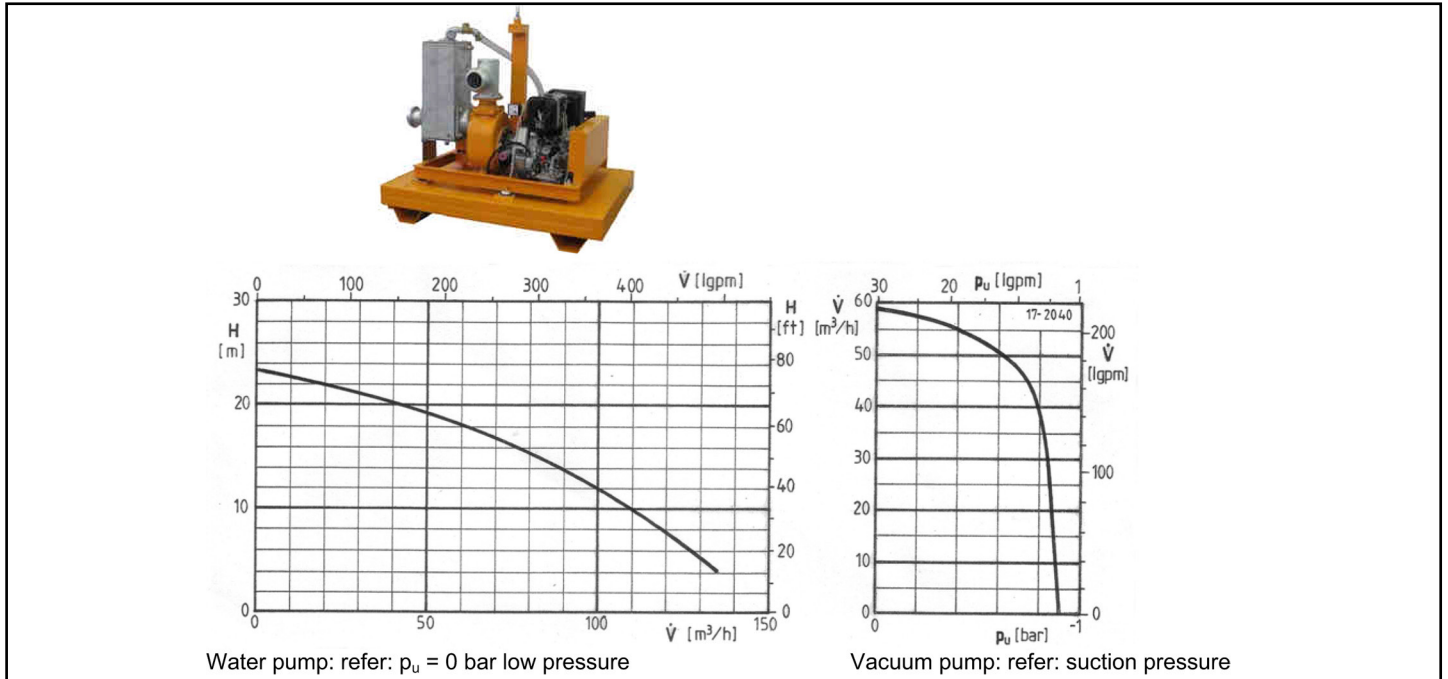
HC 532		
WATER PUMP	CAPACITY V max (m³/h)	270
	HEAD H max	21
	CONNECTION DN _s DN _d (mm)	108 male
	CORN SIZE MAX. (mm)	33
VACCUM PUMP	CAPACITY (m³/h)	105
	PRESSURE (bar)	-0.92
ENGINE	BRAND	Deutz or Hatz
	TYPE	F3L912 or 2L41C
	POWER (kW)	16.5 or 13.5
	SPEED 1/min	1500
WEIGHT (kg)		1025 or 1091

DESIGN

- Mounted on tank frame chassis, movable at site (6 km/h)
- Tank volume : 24 hours
- Impeller material : bronze
- Rotation vacuum producer without lubrication, therefore low in maintenance

TECHNICAL SHEETS : DIESEL VACUUM

HC 522 MODEL



DETAILS *

HC 522		
WATER PUMP	CAPACITY V max (m^3/h)	135
	HEAD H max	23
	CONNECTION DNs DNd (mm)	108 male
	CORN SIZE MAX. (mm)	45
VACCUM PUMP	CAPACITY (m^3/h)	58
	PRESSURE (bar)	-0.9
ENGINE	BRAND	Deutz or Hatz
	TYPE	1D90Z
	POWER (kW)	9.2
	SPEED	2500
WEIGHT (kg)		518 or 740

DESIGN

- Mounted on tank frame chassis, movable at site (6 km/h)
- Tank volume : 73 hours with 224 liters.
- Impeller material : grey iron
- Rotation vacuum producer without lubrication, therefore low in maintenance