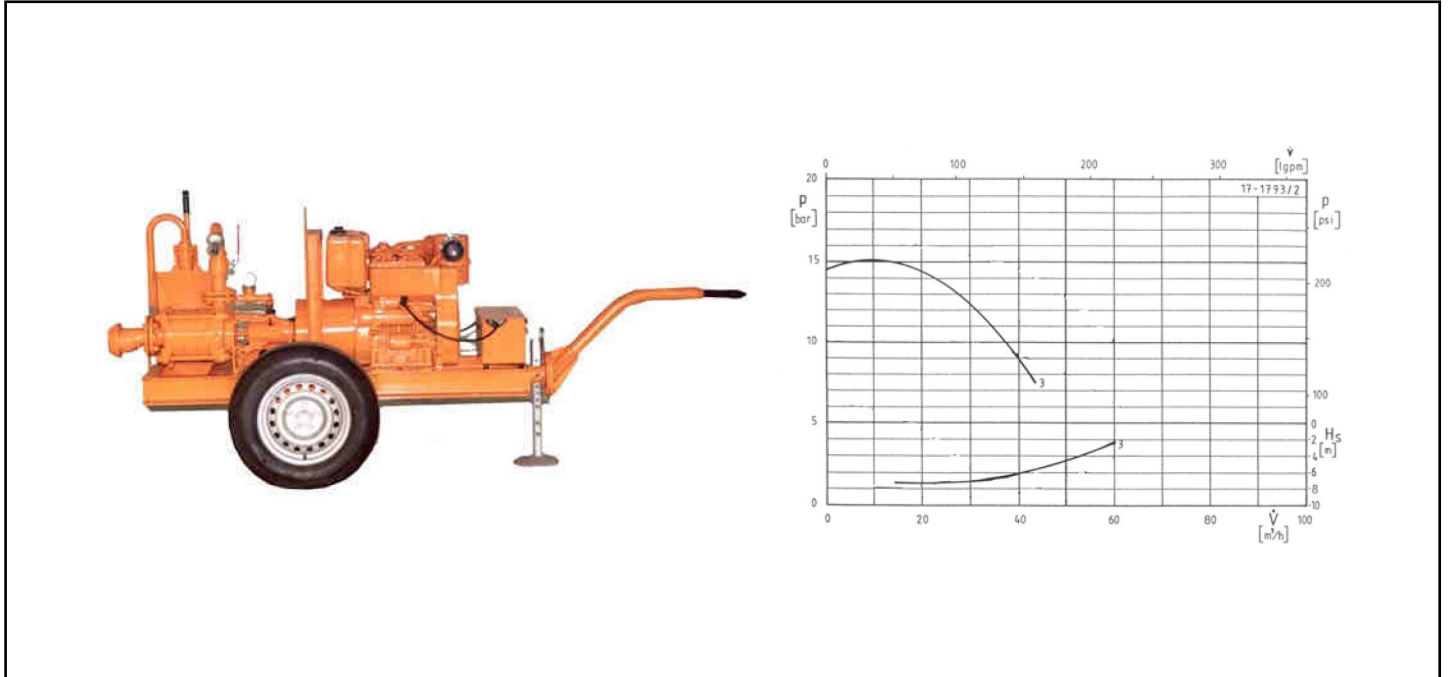


TECHNICAL SHEETS : JETTING PUMPS

HC 170 MODEL



DETAILS *

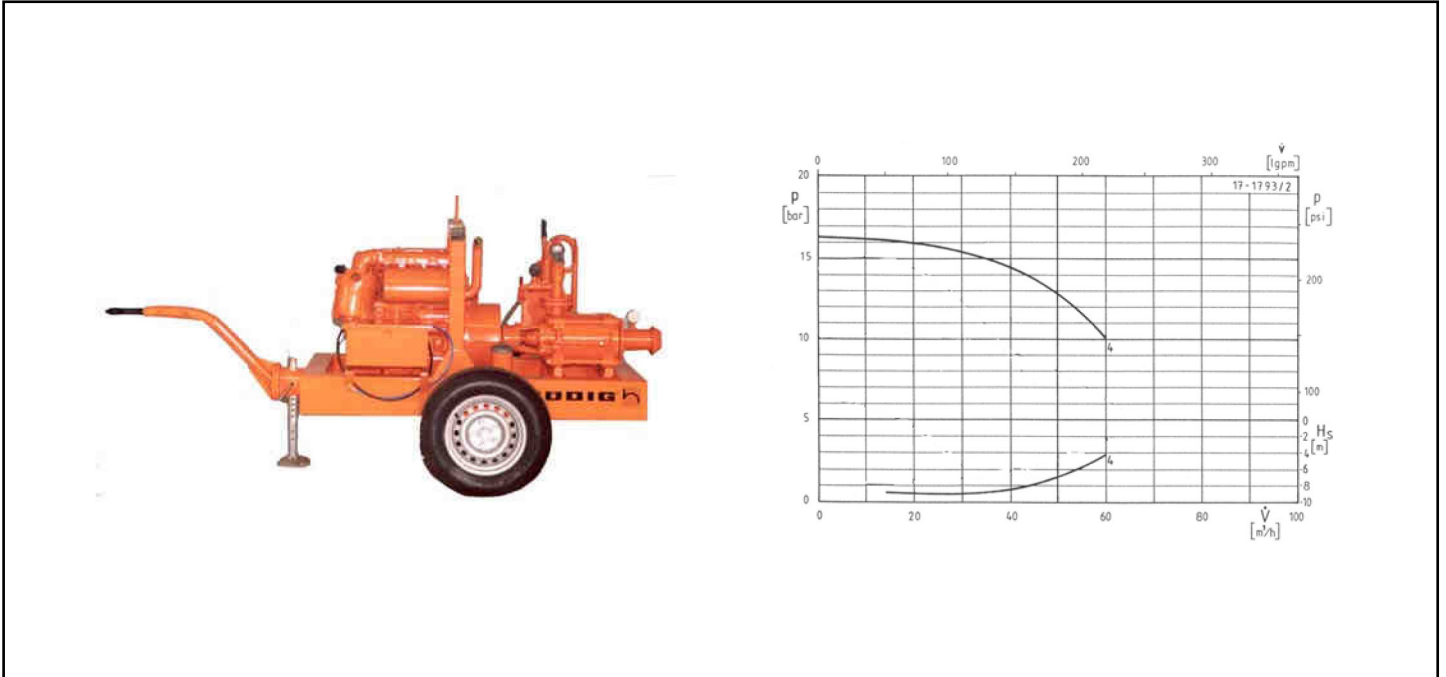
HC 170		
PUMP	CAPACITY V (m³/h)	43.5
	CAPACITY P (bar)	14.5
	CONNECTION	108 male
	STAGES	4
DISCHARGE CONNECTION		50 male
ENGINE	BRAND	Lombardini
	TYPE	9 LD
	POWER (kW)	19.2 (26.0 PS)
	SPEED t/min	3000
WEIGHT (kg)		420

DESIGN

- Mounted on single-axle trailer with pneumatic tyres, therefore may be driven on sites (6 km/h)
- Removable truck draw bar
- Battery box and crane hook eye

TECHNICAL SHEETS : JETTING PUMPS

HC 180 MODEL



DETAILS *

HC 180		
PUMP	CAPACITY V (m³/h)	60
	CAPACITY P (bar)	16.3
	CONNECTION	108 male
	STAGES	4
DISCHARGE CONNECTION		50 male
ENGINE	BRAND	Deutz
	TYPE	F 3L1011F
	POWER (kW)	32.5
	SPEED t/min	2900
WEIGHT (kg)		645

DESIGN

- Mounted on single-axle trailer with pneumatic tyres, therefore may be driven on sites (6 km/h)
- Removable truck draw bar
- Battery box and crane hook eye
- Sturdy welded steel-tankframe-chass
- Extra large capacity fuel tank